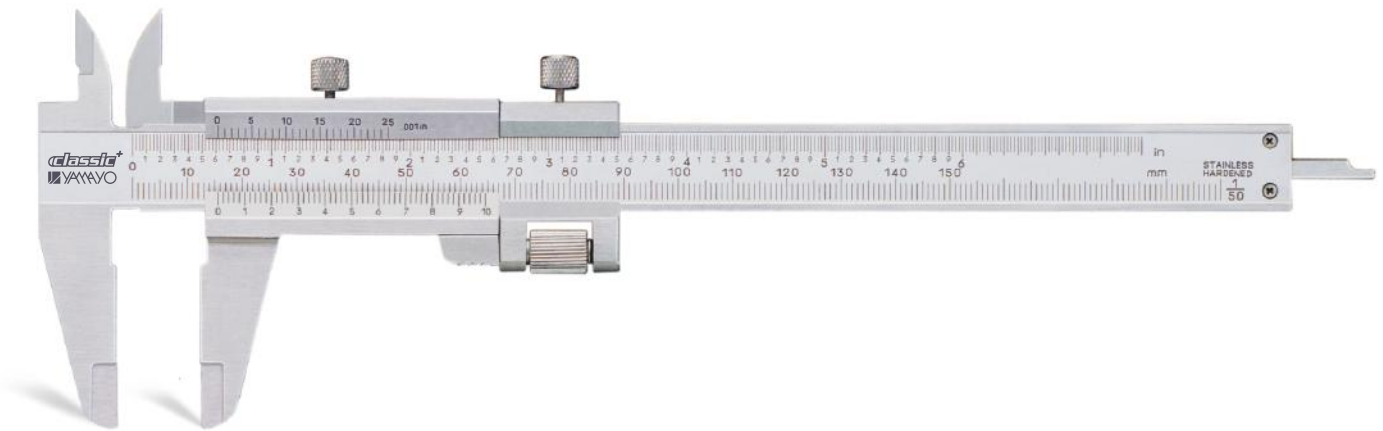


# Vernier Calipers



## FEATURES

- Vernier and main scale are with Satin Chrome finish for glare free reading.
- Raised sliding surfaces for protection of the scale.
- Can measure OD, ID, Depth and Steps.
- Provided with a fine adjustment carriage to feed the slider finely.
- Made of Stainless Steel.

## SPECIFICATIONS & DIMENSIONS

Order No.	Range	Graduation	Accuracy ( $\pm$ )	a	b	c	d	L
102-130	130mm/5"	0.02mm/0.001"	0.03mm	40	21	16.5	16	235
102-180	180mm/7"	0.02mm/0.001"	0.03mm	50	25	20.5	16	290
102-280	280mm/11"	0.02mm/0.001"	0.03mm	64	27.5	22	20	405

